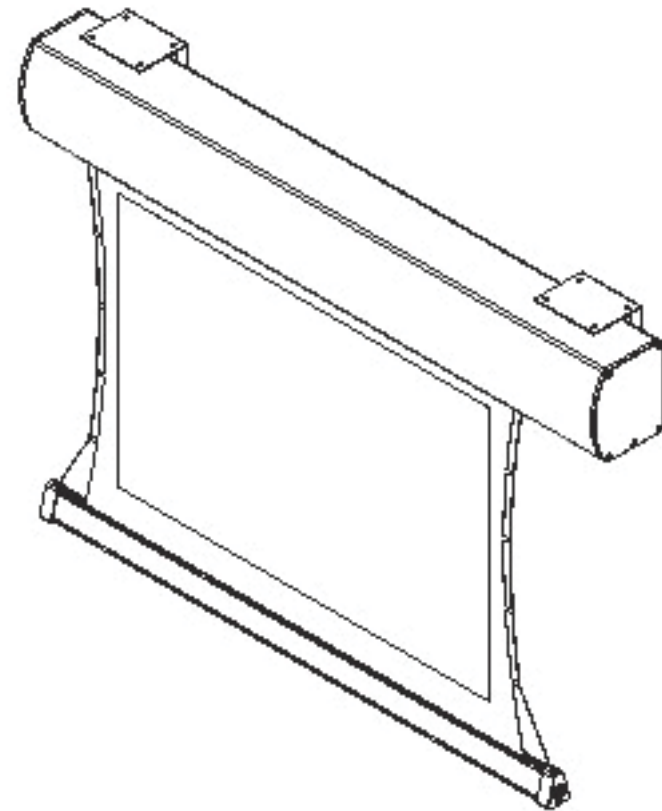


# **VERTEX**<sup>®</sup>

## TENSIONED PROJECTION SCREEN MANUAL



[www.vertex.co.th](http://www.vertex.co.th)

---

**VERTEX**<sup>®</sup>

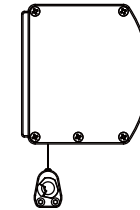
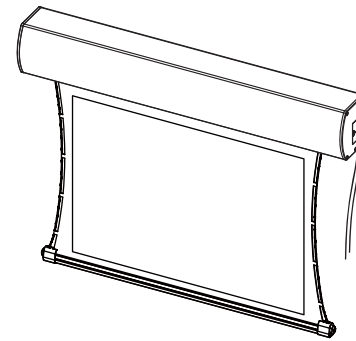
Vertex Supply Co.,Ltd. 122/20-21 Latphrao 37, Latphrao Road, Bangkok 10900, Thailand  
Tel. : (662) 938-1051 Fax. : (662) 938-1633

Thank you for choosing our screens.

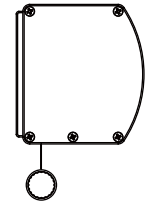
All screens have passed the strict quality inspection before delivery. Read this manual carefully to ensure proper usage. You may also find the solution if you have problems.

Important Attention the installation of the screen, the electric connections, the setting of the limit switches, must be made from trained engineer only.

**THE SHAPE OF MOTORIZED SCREEN.**

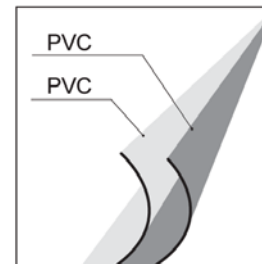


Aluminum Alloy Pull Bar

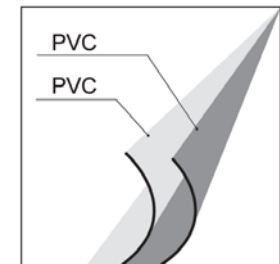


Φ32 Round Pull Bar

**SCREEN FABRIC**

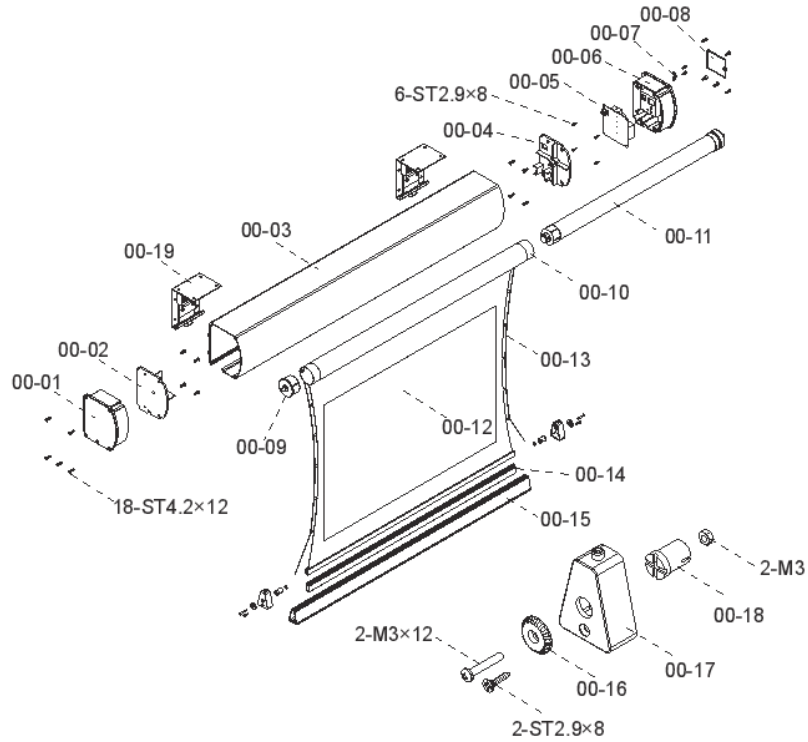


Redleaf White vinyl screen



Redleaf Grey vinyl screen

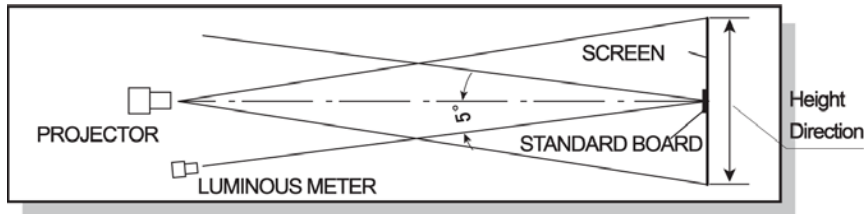
**SPARE PARTS LIST FOR MOTORIZED SCREEN**



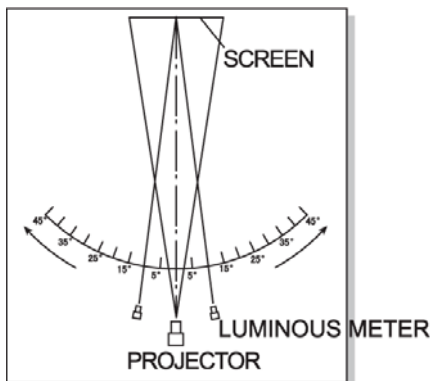
- |                            |                       |
|----------------------------|-----------------------|
| 00-01 LEFT END CAP         | 00-11 TUBULAR MOTOR   |
| 00-02 LEFT FITTING HOLDER  | 00-12 SCREEN FABRIC   |
| 00-03 SCREEN HOUSING       | 00-13 CORD            |
| 00-04 RIGHT FITTING HOLDER | 00-14 ROUND BAR       |
| 00-05 RECIEVER BOARD       | 00-15 PULL BAR        |
| 00-06 RIGHT END CAP        | 00-16 ADJUSTING WHEEL |
| 00-07 WIRE GUIDE PLATE     | 00-17 RUBBER END CAP  |
| 00-08 COVER                | 00-18 WIND ROD        |
| 00-09 MORTISE              | 00-19 BRACKET         |
| 00-10 ROLLER               |                       |

**TECHNICAL DATA**

- Matte White Screen  
Gain: 0.9  
Viewing Angle: >160  
High color rendering, high resolution.
- Glass Beaded Screen  
Gain: 22  
View Angle: >30  
High color rendering, high resolution.
- Gain Measurement: refer the fig below  
Standard: JB/T8389 issued by Ministry of Machinery Industry

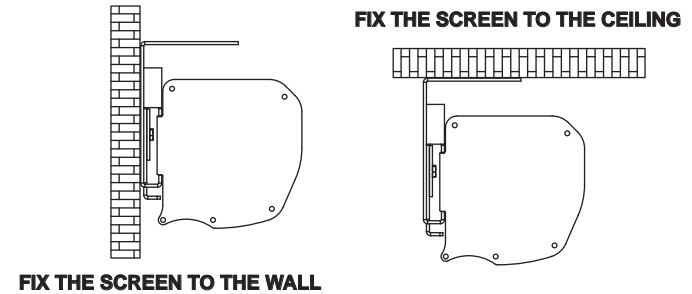


- Viewing Angle Measurement: refer the fig below  
Standard: JB/T8389 issued by Ministry of Machinery Industry



**OPERATING INSTRUCTION**

- Unpack the screen carefully, be sure the screen is in good condition, check all the accessories are packed inside the carton.
- Check the voltage and frequency marked on the screen is in accordance with the local power supply. It is suggested only to use the screens indoor under normal temperature and humidity.
- Refer the fig below to fix the screen to the wall or to the ceiling.



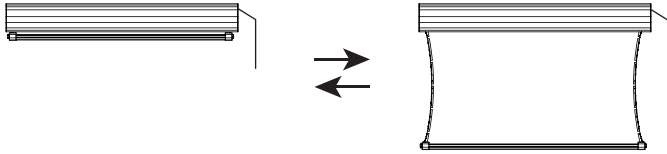
**VOLTAGE AND FREQUENCY**

Choose the voltage according to the local requirement: 110V/60Hz or 220V/50Hz.

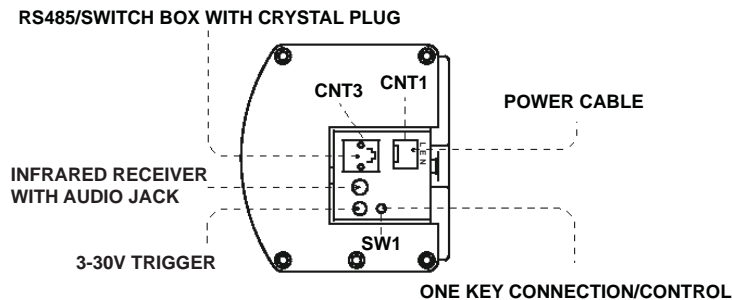
**INSTALLATION NOTE**

- Must be installed from direct sunlight.
- Proper ventilation place.
- Proper dampness.
- Clear place.
- Avoid violent jarring.
- Avoid the direct air current from air-condition, heater etc. Do not expose the screen in the High or Low temperature condition.

**OPERATION INSTRUCTION**



- Plug in power supply.
- For Swtch control: Plug In Swtch box into CNT3. Press button to up position, screen goes up. Press button to stop position, screen stops. Press button to down position, screen goes down.
- For Remote: Direct the handset to the screen housing. Press the Up/Stop/Down button on the handset, screen goes UP/Stop/Down accordingly.
- For Trigger. Input the trigger signal, screen goes down, Stop this signal, screen goes up.
- For the operation of SW1: this key is the -one key control. If the screen could not stop or go by handset, could use the one key control to control the screen operation.
- Input the infrared receiver, the screen could with RF and IR two signals, the screen could control by IR and RF handset (infrared receiver with audio jack and IR control -optional)
- Keeping the screen rolled in its protective case when not in use. Always examine both front and back of surface before re-rolling into case to make certain screen free of dust, dirt or other foreign matter.



**THE ATTENTION**

- It's no good for over-operating screen which will break the useful life of screen.
- Do not pull the control wires which avoid disconnection and dangers.
- Keep the good connection of plug and power.
- Cut off the power supply when the screen won't be used for long time.
- If remote control does not work well, please check the battery and replace new one.
- The limit time of tubular motor is 5 minutes without stop. It will turn on the overhead switch after long time using (until it becomes cool completely)
- Upper and lower limit switch is in the right end of the screen housing. Refer the fig below to adjust the upper limit and the lower limit. For the safety reason, never disassemble the limit switch.

